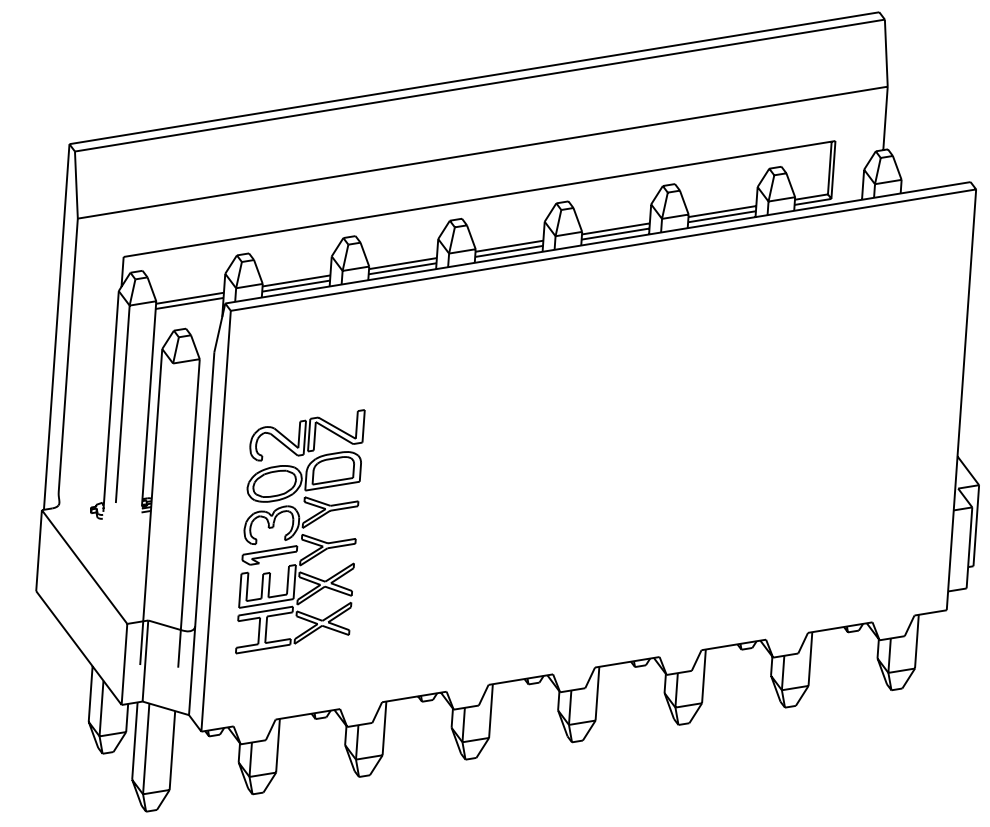
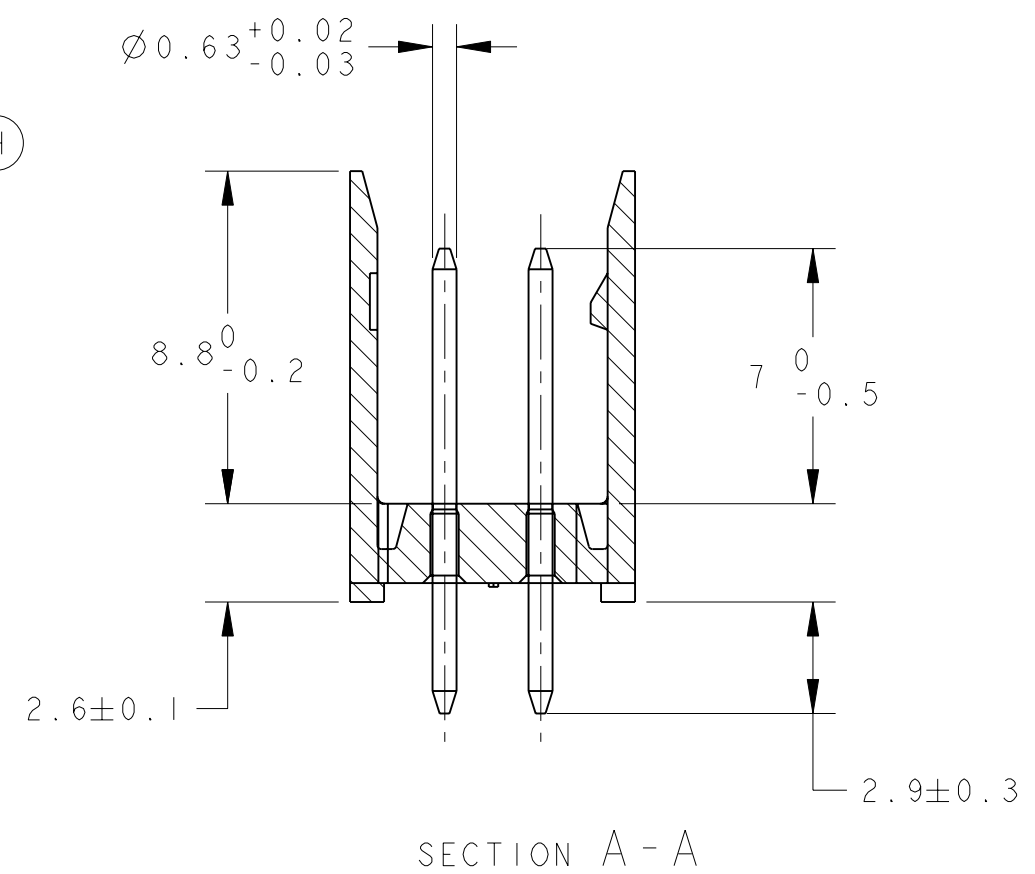
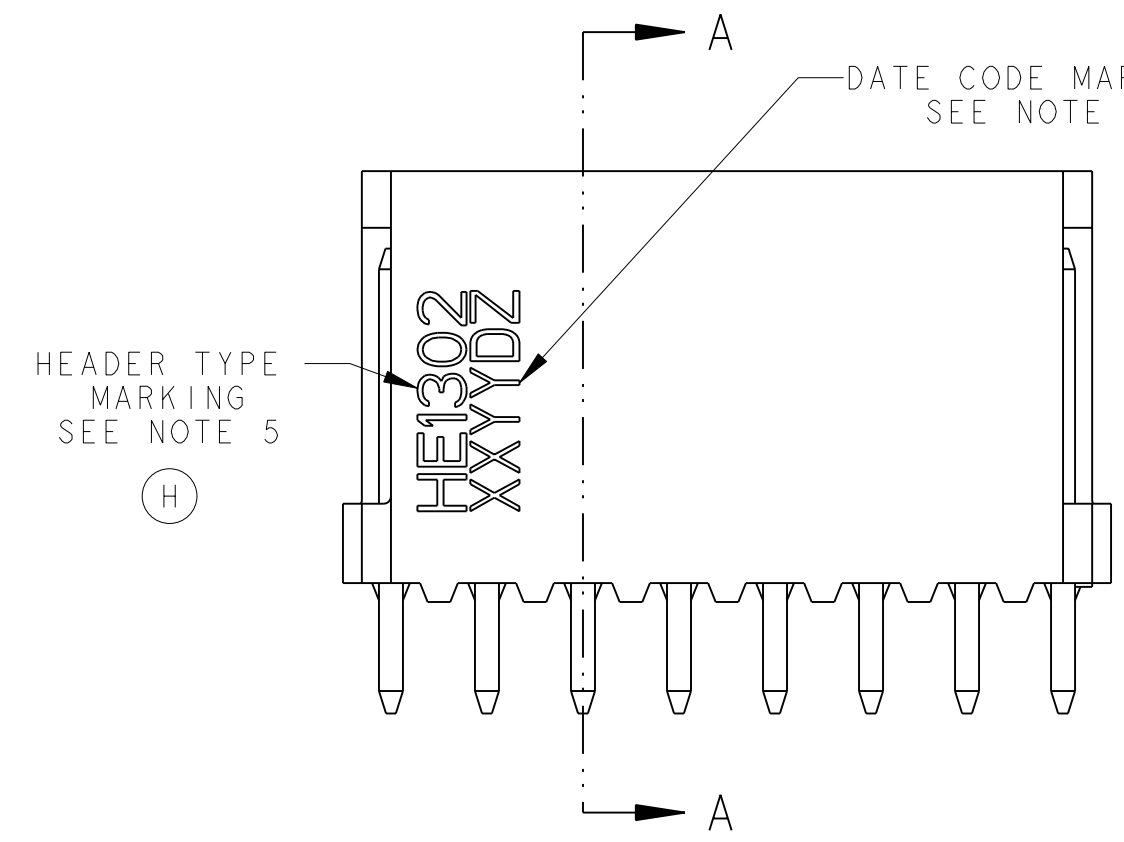
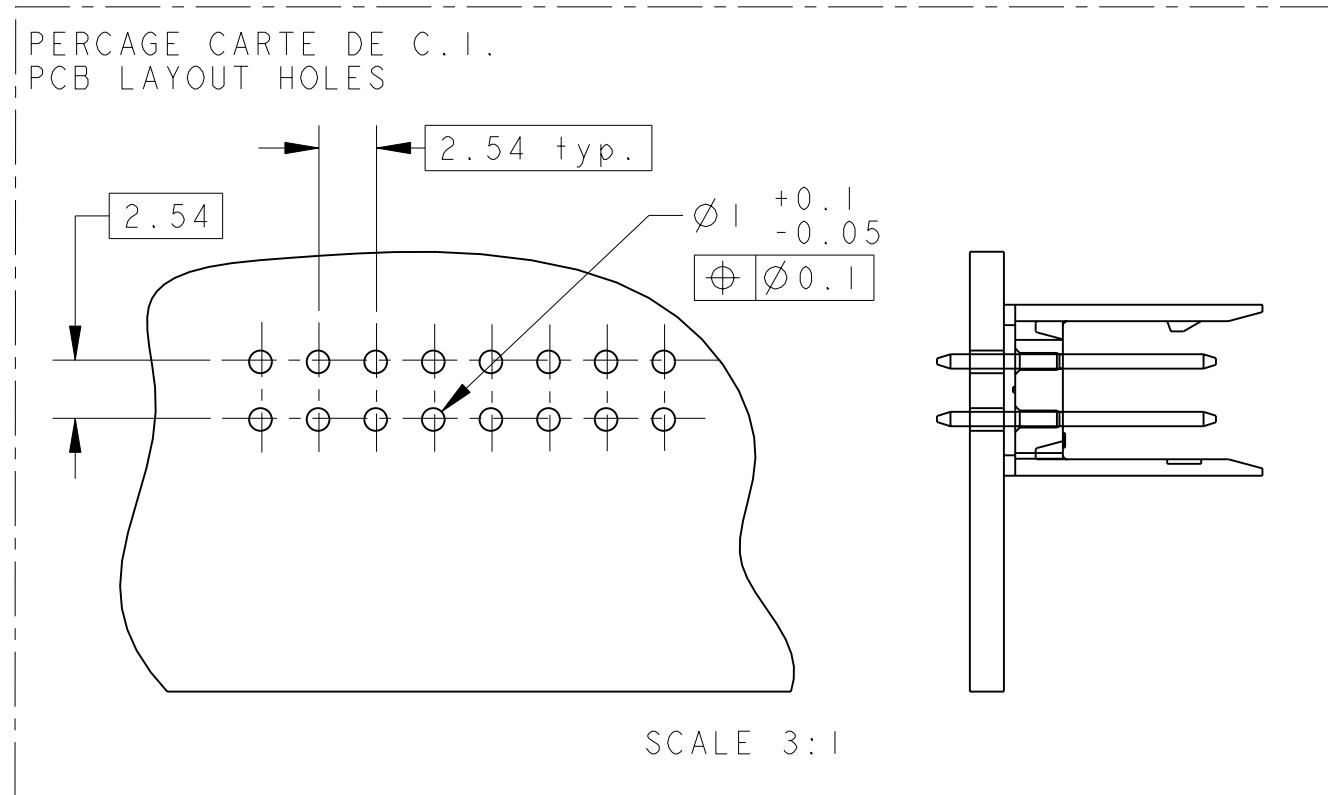
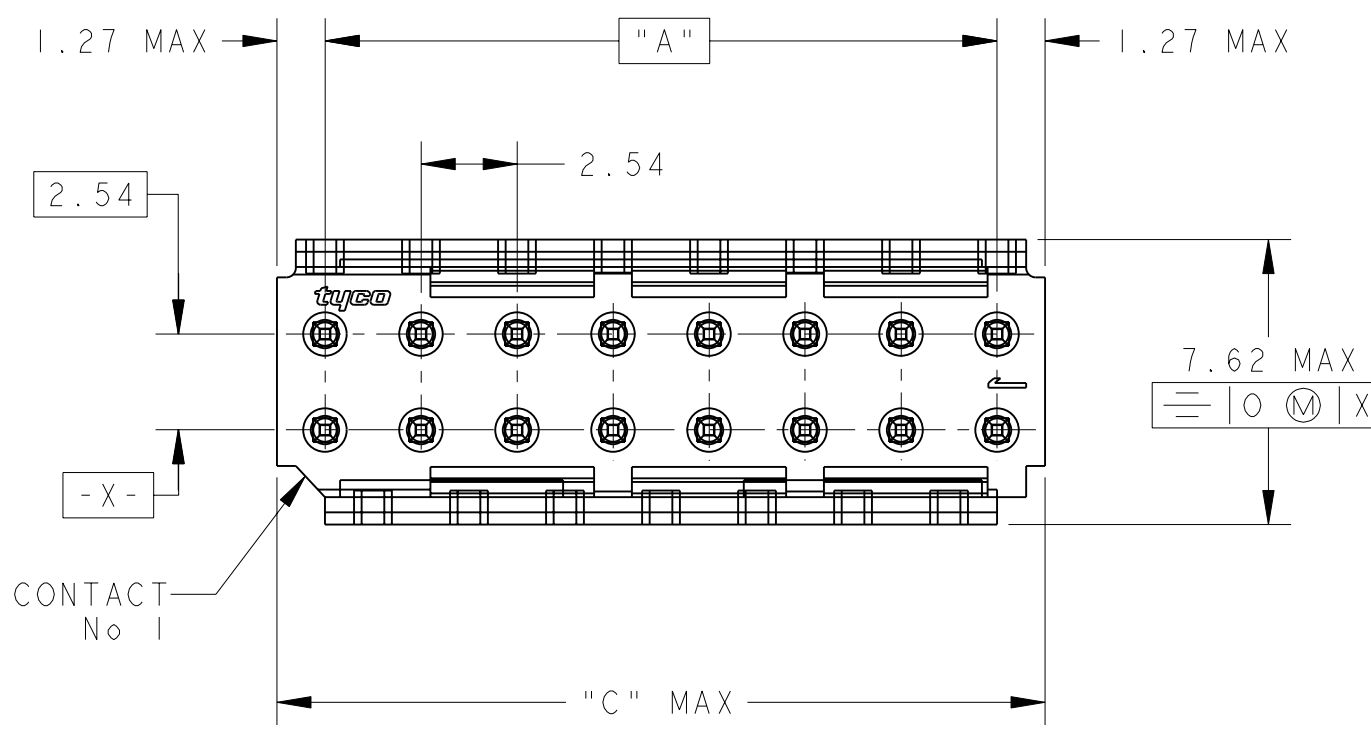


THIS DRAWING IS UNPUBLISHED.  
 DIFFUSION RESTREINTE  
 © COPYRIGHT 20 BY TYCO ELECTRONICS CORPORATION. ALL RIGHTS RESERVED.  
 LIBRE A LA DIFFUSION  
 20  
 TOUS DROITS RESERVES

LOC	DIST	REVISIONS					
F	7	P	LTR	DESCRIPTION MODIFICATIONS	DATE	DWN DESS.	APVD APP.
		E		MODIFIE NOTE 3	12MAR2004	J. D	Y. P
		F		CLARIF. TABLE	02APR2004	TC	YP
		G		MATERIAL	09MAY2006	J. D	Y. P
		H		NOTES 5, 6 ADDED	19DEC2008	GM	PEG



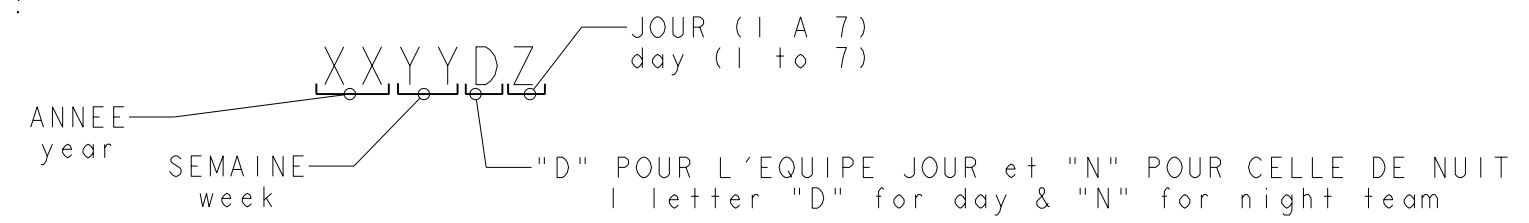
SCALE 6:1



SCALE 3:1

NOTES:

- CES EMBASES SONT PREVUES POUR ETRE ACCOUPLEES AVEC LES FICHES "HE1402" DOUBLE RANGEE.  
(These headers are designed to be mated with "HE1402" connectors double row)
- LES REFERENCES SUIVIES D'UN \* SONT LES VERSIONS NORMALISEES SELON LA NORME CEI 603-8  
(The parts numbers followed by \* are covered by the international standard IEC 603-8)
- REVETEMENT DES CONTACTS: ETAIN PUR SUR NICKEL  
(Contacts plating: lead free tin over nickel)
- MATIERE PLASTIQUE: THERMO-PLASTIQUE HAUTE TEMPERATURE, UL-94V0, COULEUR BLEUE  
(Plastic material: High temperature thermoplastic, UL-94V0, Blue color)  
MATIERE DES CONTACTS: BRONZE PHOSPHOREUX  
(Contacts material: phosphor bronze)
- MARQUAGE DU TYPE D'EMBASE (HE1402) A L'ENCRE NOIRE  
(header type marking (HE1402) with black ink)
- MARQUAGE DE LA DATE A L'ENCRE NOIRE :  
(date code marking with black ink) :



50.80	48.26	2x 20	2-281740-0
45.72	43.18	2x 18	1-281740-8 *
43.18	40.64	2x 17	1-281740-7
38.10	35.56	2x 15	1-281740-5 *
33.02	30.48	2x 13	1-281740-3
30.48	27.94	2x 12	1-281740-2 *
25.40	22.86	2x 10	1-281740-0 *
20.32	17.78	2x 8	0-281740-8 *
15.24	12.70	2x 6	0-281740-6 *
12.70	10.16	2x 5	0-281740-5 *
10.16	7.62	2x 4	0-281740-4 *
7.62	5.08	2x 3	0-281740-3 *
5.08	2.54	2x 2	0-281740-2
C	A	Nb DE POS	PART NUMBER
DIMENSIONS			

THIS DRAWING IS A CONTROLLED DOCUMENT FOR TYCO ELECTRONICS CORPORATION IT IS SUBJECT TO CHANGE AND THE CONTROLLING ENGINEERING ORGANIZATION SHOULD BE CONTACTED FOR THE LATEST REVISION. CE PLAN EST UN DOCUMENT CONTROLE PAR AMP INCORPORATED. IL EST SUSCEPTIBLE D'ETRE REVISE. CONTACTER LE SERVICE TECHNIQUE D'AMP DE FRANCE POUR OBTENIR LA DERNIERE REVISION.		DWN/DESSINE 22NOV2000 C. COMBEDOUZON CHK/VERIFIE 22NOV2000 T. CORRIOL APVD/APPROUVE 22NOV2000 Y. PETRONIN	AMP DE FRANCE 95301 PONTOISE
DIMENSIONS: mm	TOLERANCES UNLESS OTHERWISE SPECIFIED: (SUIV NB DE DECIMALES) 0 PLC/DEC: ± 1 PLC/DEC: ±0.3 2 PLC/DEC: ± 3 PLC/DEC: ± 4 PLC/DEC: ± ANGLES ±5°	NAME TITRE HEADERS HE13, DOUBLE ROW, STRAIGHT	SIZE FORMAT A2
MATERIAL/MATIERE	FINISH/FINITION	APPLICATION SPEC SPEC. APPLICATION WEIGHT MASSE APPROX. -	CAGE CODE 00779
CUSTOMER DRAWING /PLAN CLIENT		UNIQUEMENT POUR REFERENCE ECHELLE 5:1	SHEET FEUILLE 1 OF DE 1 REV H